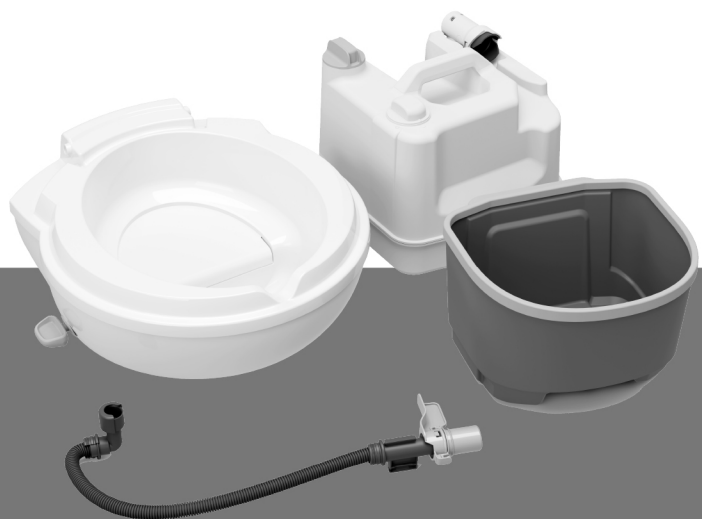


**THETFORD**



**INSTALLATION MANUAL**  
**SEPARATION TOILET - KIT**  
**SK260 series**

# EN

## Original Installation Manual

## Contents

1	Introduction.....	2
2	Safety.....	3
3	Serviceability.....	4
4	Designation codes, drawings and models.....	4
5	Technical specifications.....	4
6	Before installation.....	5
7	Installation.....	15
8	After installation.....	24
9	Service & questions.....	25

## 1. Introduction

### General

This is the installation manual for the Thetford SK260. The manual is meant for qualified installers who will install the toilet system in a caravan or camper.

Read the information and instructions carefully and follow them strictly to install the toilet system safely and correctly.

Also read the warnings in the user manual before testing the toilet system after installation.

Our policy is one of continuous development and improvement. Specifications and illustrations may change subsequent to publication. This document is version 212066/0725-V01 of the installation manual.

Please visit [www.thetford.com](http://www.thetford.com) for the most recent version.

If the appliance is not installed in accordance with national and European regulations, rules and standards this will void the warranty

## Symbols

The following symbols may be used in this manual:



**Warning.** Risk of serious injury and/or damage.



**Caution.** Risk of moderate injury and/or damage.



**Attention.** Important information.



**Note.** Additional information.



**Video.** Additional instruction video available.

## 2. Safety

### General



Risk of serious injury through burning, explosion, clamping, electrocution, suffocation and poisoning or damage to the product.

- Do not modify this appliance, unless the modification is authorised and carried out by the manufacturer or their agent.
- If the appliance is not installed in accordance with national and European law, regulations, rules and standards, this will void the warranty and may lead to criminal prosecution.
- Wear the correct Personal Protective Equipment during the installation. Also follow the applicable safety regulations.
- Only qualified persons are allowed to install the appliance.



The toilet can withstand a maximum load of 120kg. Make sure you do not overload the toilet.

### Installation



Risk of serious injury through burning, explosion, clamping, electrocution, suffocation and poisoning or damage to the product.

- To avoid a hazard due to instability of the appliance, it must be fixed in accordance with the instructions.
- Do not drill, cut or use excessive force on the toilet walls, except for screwing predefined positions. This may damage the appliance.
- When installing the appliance, ensure cables are not trapped or damaged.
- Route the cables away from the appliance and heat sources.

- Do not allow cables to hang loose into the compartment.
- Use only genuine and approved parts and materials.

### 3. Serviceability

The installer of Thetford products is responsible for correct installation according to the Thetford installation instructions to ensure the functionality and serviceability of the product.

In terms of serviceability, this means that a dealer or authorised Thetford service partner must be able to remove and re-install the Thetford product within the time that is allowed according to the Thetford time-list, using standard tools and equipment.

This is to claim any warranty during the warranty period after the purchase date.

In case of any queries on this subject, a Thetford local service representative can be contacted for additional support related to the installation of the product.

### 4. Designation codes, drawings and models

Each product has a specific identification code, the designation code. The designation code can be found on the data badge. See *Service & questions* for the location of the data badge. The different positions of the code stand for different variations of the toilet.

Please refer to the designation code explanation in the original Cassette Toilet installation manual.

### 5. Technical specifications

Table 1: Dimensions, weight and capacity

Dimensions	S260-S			S260-CS		
	H	W	D	H	W	D
mm	487	401	603	540	420	607
Empty weight	5.2 kg			6,7 kg		
Capacity urine tank	7.5 L			7.5 L		
Capacity solids bucket	7.1 L			7.1 L		

## 6. Before installation

### About the SK260 conversion kit

This kit is designed to convert an existing installation of any C263 into the functionality of a S260-S or S260-CS separation toilet.



The C260 series is fixed on the bottom with 4 screws. The C263-S is attached to the rear wall with 3 screws. The C263-CS uses a bracket to hook it to the rear wall. If the situation and installation allows it, then the conversion might be done easier if the toilet can be temporarily uninstalled and put on a bench. If you have removed the toilet for the conversion with the Separation Toilet Kit, the torque figures can be found in the original installation manual.

### Content of the box

For the single-piece packaged appliance, check the content of the box:

- SK260 Separation Toilet - Kit
- User manual
- Installation manual

Gather the required tools:

- Stanley knife
- Philips screwdriver no.2



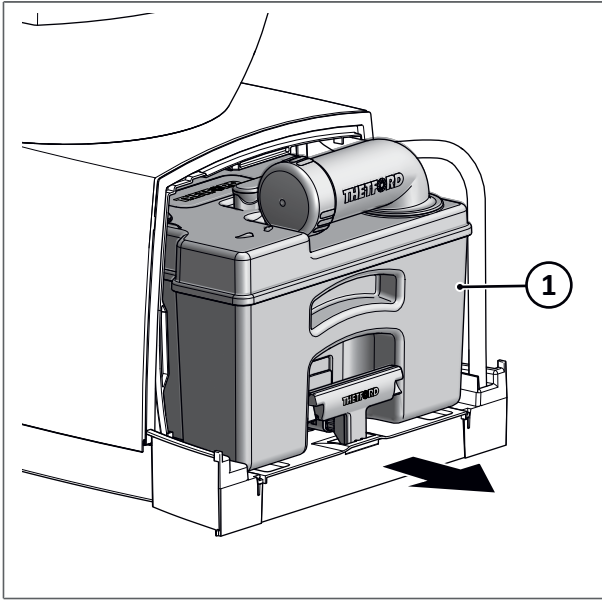
If something is missing from the box, please contact your dealer.

### Removal of toilet components



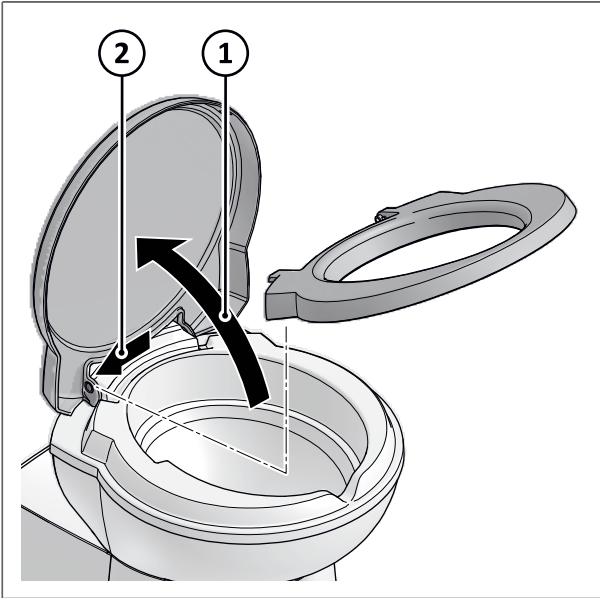
First empty and disconnect the water supply of the RV to avoid any spillage and potential damage.

## Waste holding tank



- Remove the waste holding tank from the back of the toilet by sliding it out.

## Seat and lid



- Open the lid and seat (1).
- Push one corner outward and pull upward close to the hinge-point to unhook them both.

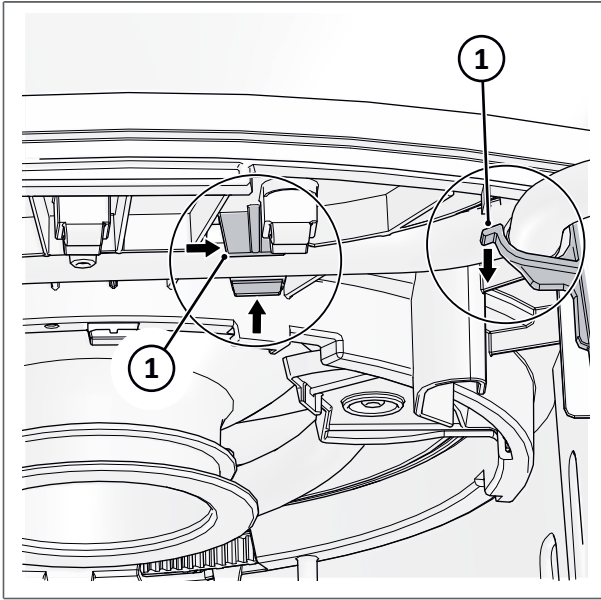


Use of a slotted screwdriver can ease unhooking the hinge. Be careful not to damage anything.



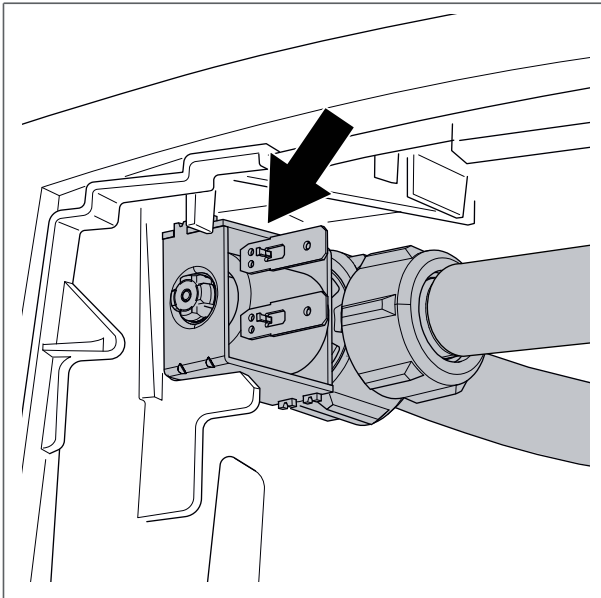
See instruction video on [www.thetford.com](http://www.thetford.com)

## Water hose assembly



- Unscrew the 2 fastener clips holding the hose-assembly.
- Unhook the water hose from the guides.

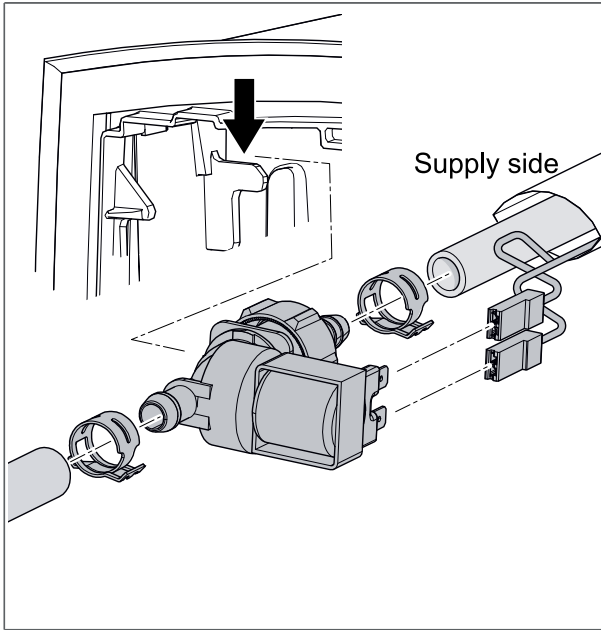
## Electric valve



Disconnect and detach water valve.

- Remove any remaining hose-clips, holding the hose and valve in place.
- Remove electric valve.

## Water supply

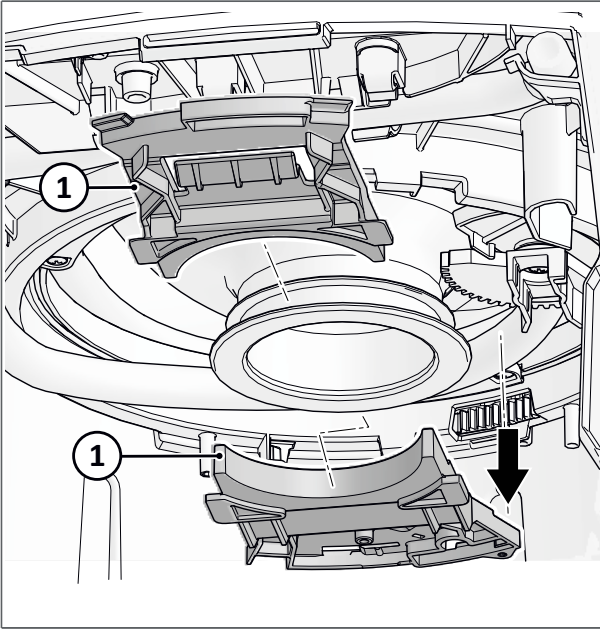


- Locate the hose barb and nut.
- Loosen the nut and detach the hose.
- Disconnect the hose from the water supply of the vehicle.
- Remove the water hose.
- Close the water supply of the vehicle with the plug and the clamp.



Risk of water spillage. Use a cloth or towel to avoid any potential spilling and damage.

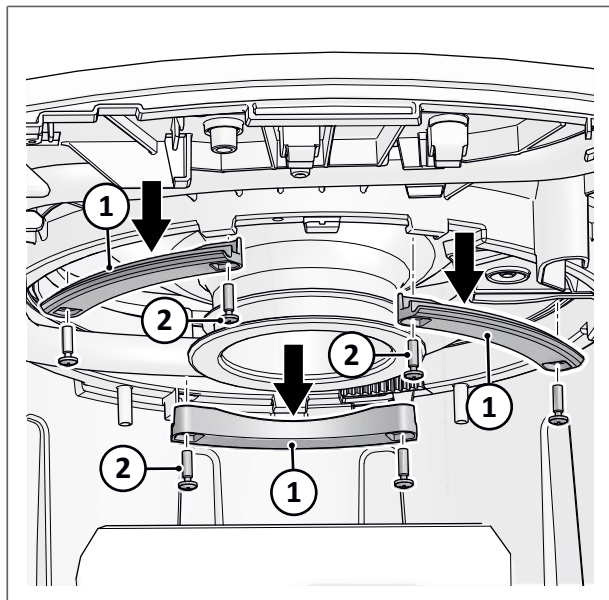
## Toilet bowl



- Turn the bowl retainer brackets (1) anti-clockwise and take them out.



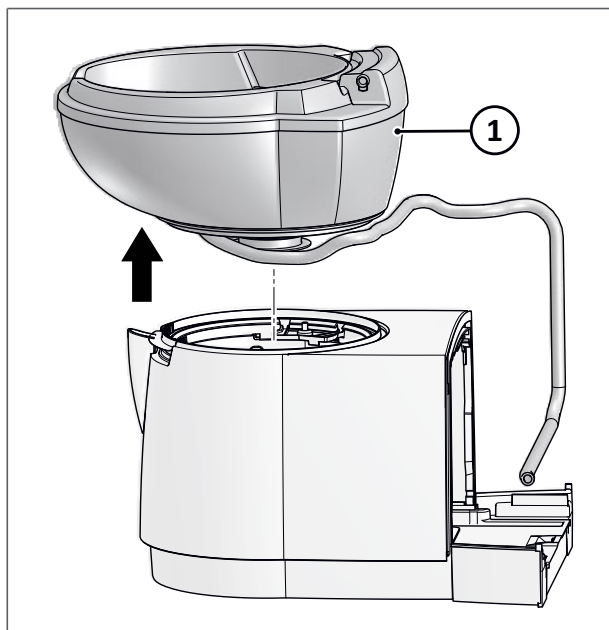
These retainer brackets will not be used after the conversion.



- Remove the 3 retaining brackets (1) by unscrewing the screws (2) and take them out.
- Turn the bowl to access all screws if necessary.



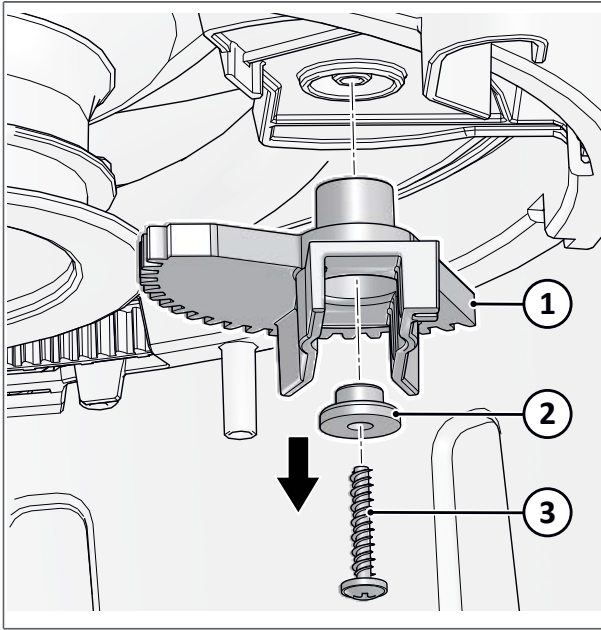
Keep the retaining brackets and the screws for later installation.



Remove the bowl by:

- Lifting the bowl and hose assembly carefully from the base.

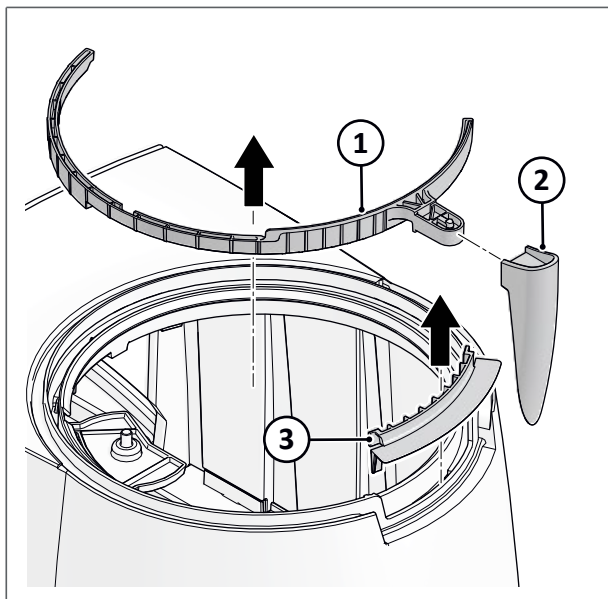
## Toilet bowl parts



- Take out the screw and remove the saddle.



This can be done either from the bottom, or from the top of the toilet base.

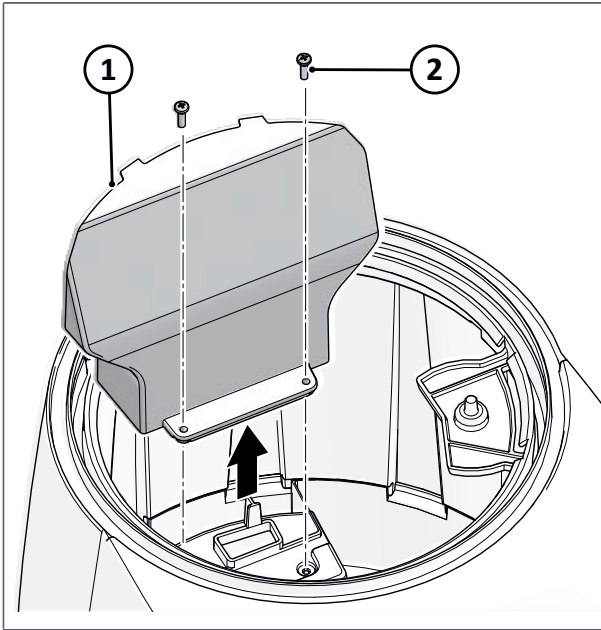


- Remove the cover-plate, blade ring and handle.

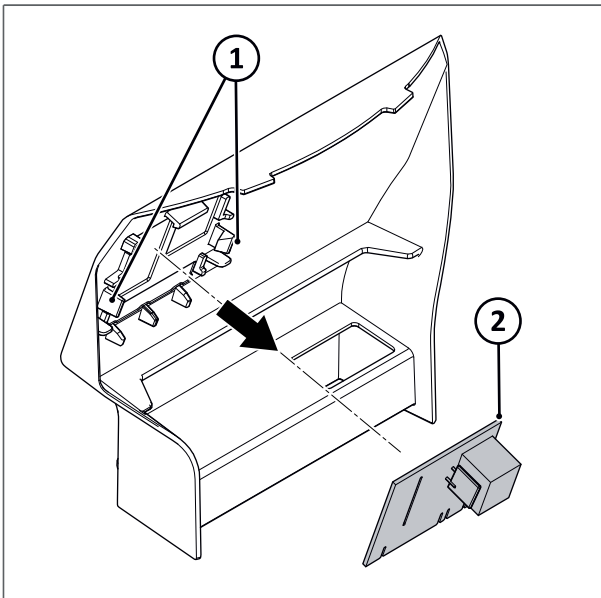


In case there is a shower installation present, it is advised to leave these parts in place.

## Reed switch housing



- Remove the two screws.
- Take out the reed switch housing.



- Remove the reed switch PCB by slightly pushing out the retainers holding the PCB in place. Then lift it out.
- Detach the connector from the PCB.

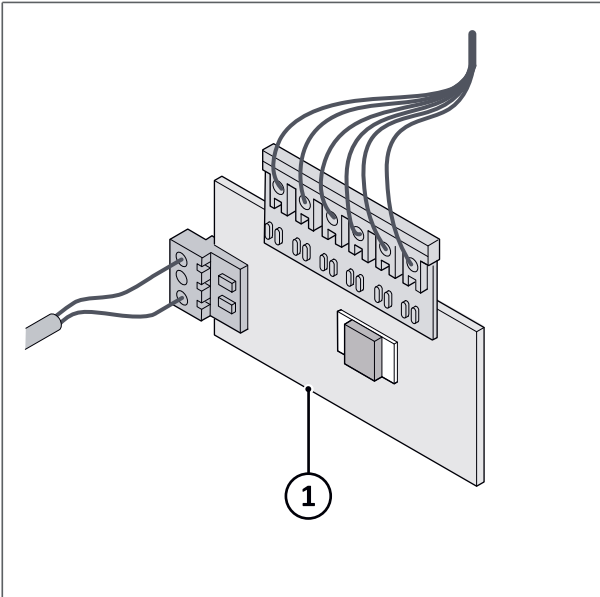
## 7. Installation



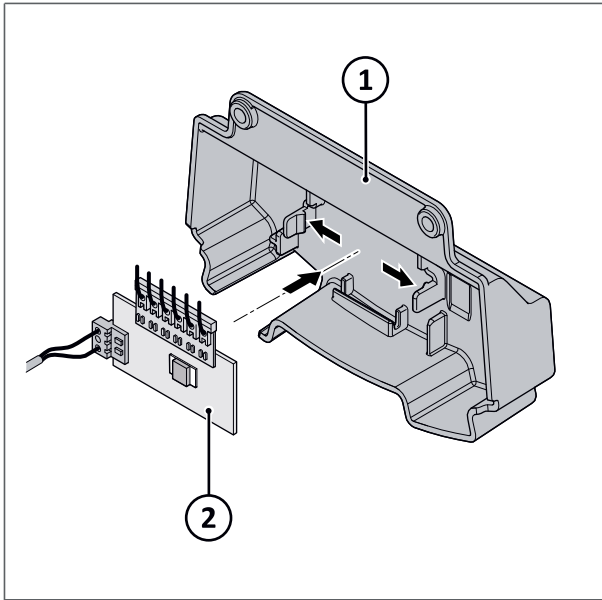
Read the applicable instructions in chapter *Safety* first.

### Separation Toilet - Kit components

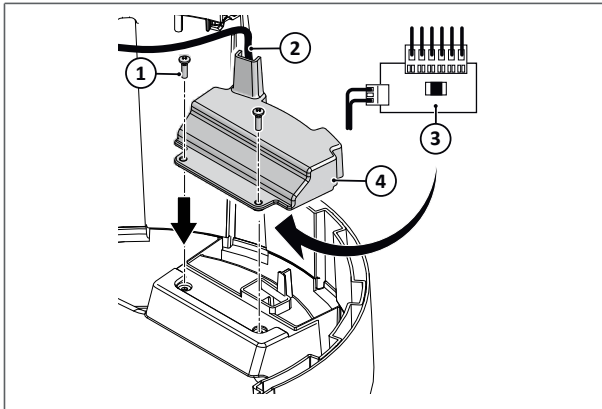
#### New cover with reed switch PCB and wiring



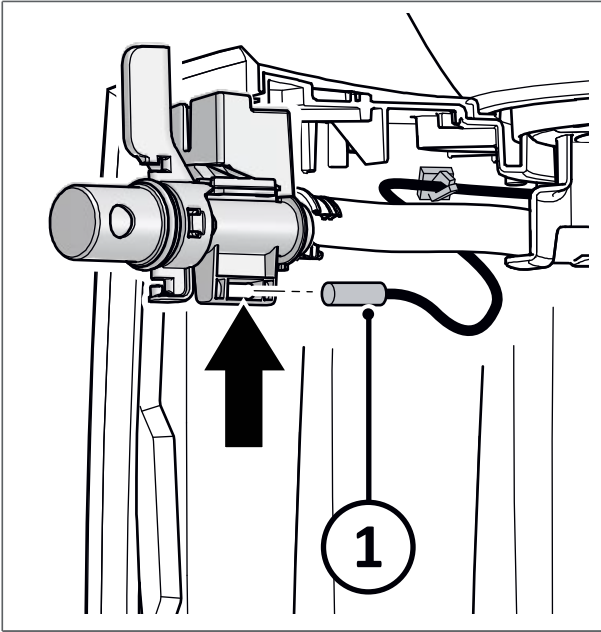
- Take the new reed switch PCB from the kit and plug in the connectors.



- Place the new reed switch PCB, with connectors attached, between the supports on the new cover.
- Press the PCB in place, starting from the position of the large connector.

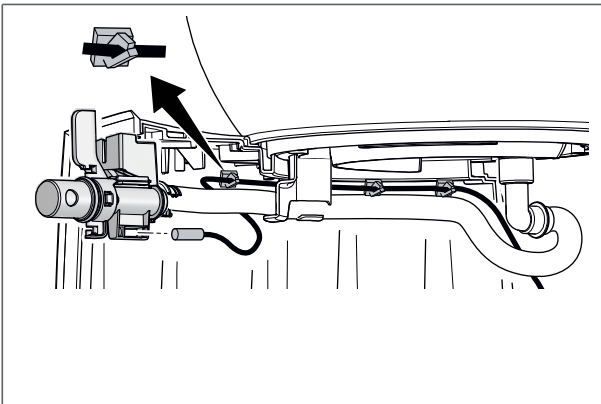


- Place the new cover in the proper position.
- Route the black cable through the opening.
- Secure the new cover in place with the 2 screws removed earlier.



The reed switch is connected at the end of the black cable.

- Press the reed switch in the recess until it clicks into place.



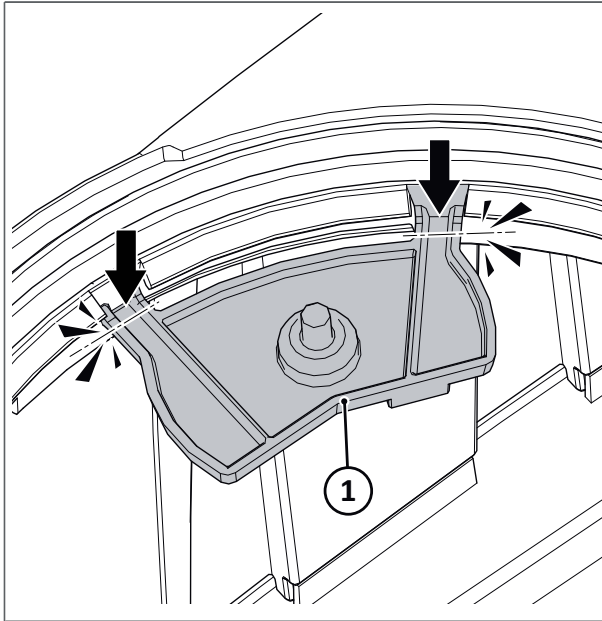
Stick all cable supports as pictured, starting close to the valve.

- Remove the protective sheet from the self-adhesive cable support.
- Stick the cable support in place and press it firmly for a couple of seconds.
- Route the black cable through the cable supports.

## SK260 used on the S260 toilet

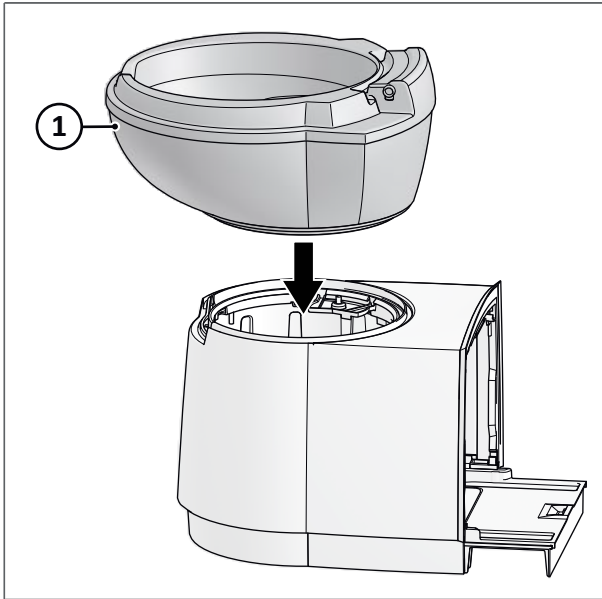


When the SK260 Separation Kit is used on a S260 toilet the saddle retainer must always be cut according to the picture below.



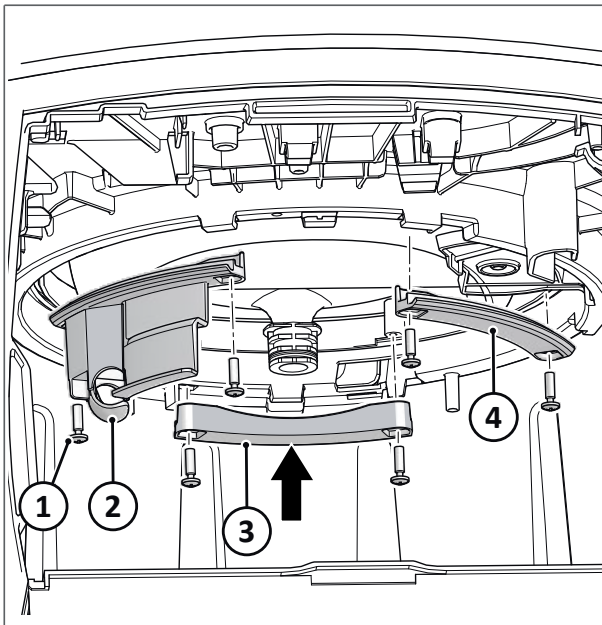
Cutting must be done at the white lines indicated by the arrows.

## New bowl



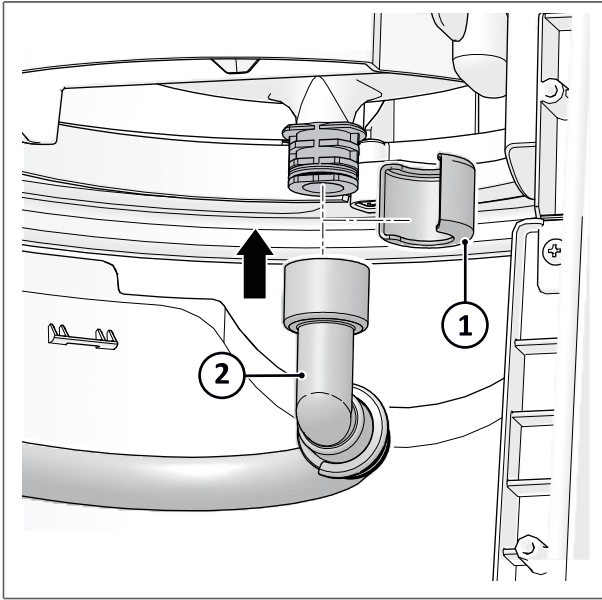
- Take the bowl (1) from the SK260 Separation Toilet Kit and place it on top of the base.

## Toilet bowl retainer guides



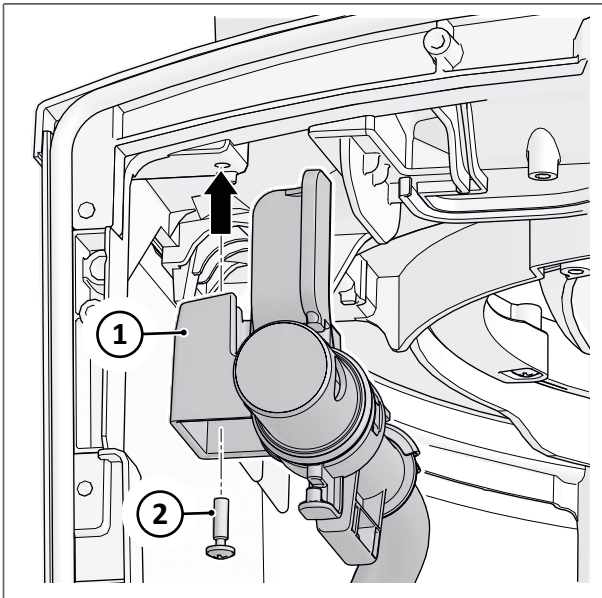
- Use the bowl retainer brackets from the Separation Toilet Kit, which has the urine hose already attached.
- Place the 3 retainer brackets from the kit in their original positions and tighten the screws.

## Hose assembly



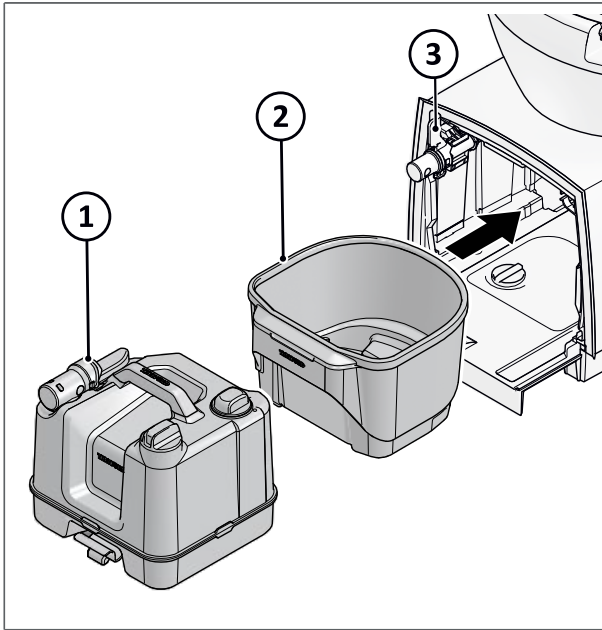
Connect the urine hose assembly to the bowl.

- Remove the mounting clip (1) from the urine hose assembly.
- Slide the hose (2) over the bowl connection.
- Replace the mount-clip (1) to secure the hose assembly in place.



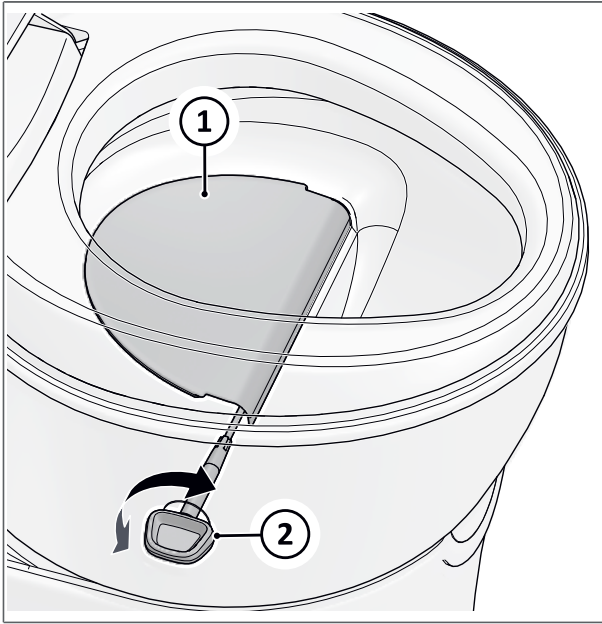
- Mount the bracket (1) for the valve-mount in the correct position and secure it with the screw (2).

## Solids bucket and urine tank



- Slide in the solids bucket (2) first.
- Slide in the urine tank (1) next.
- Turn the urine hose connector lever (3) clock-wise to the horizontal position, to secure the connection and open the valve.

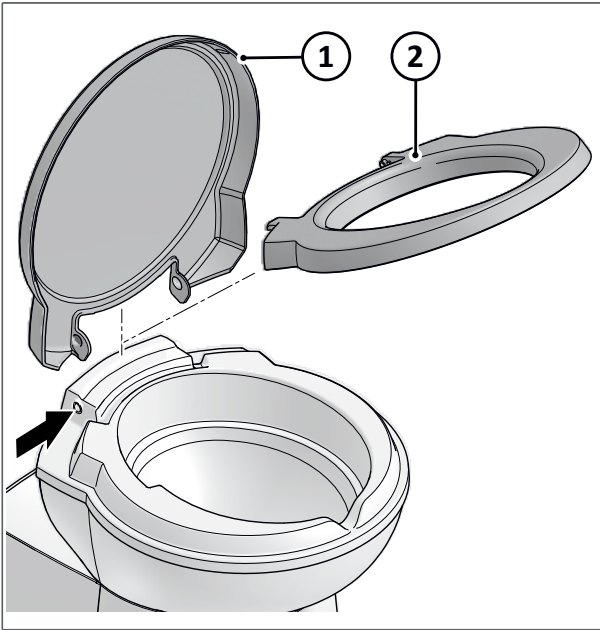
## Solids valve control



Insert the solid valve control handle in the bowl.

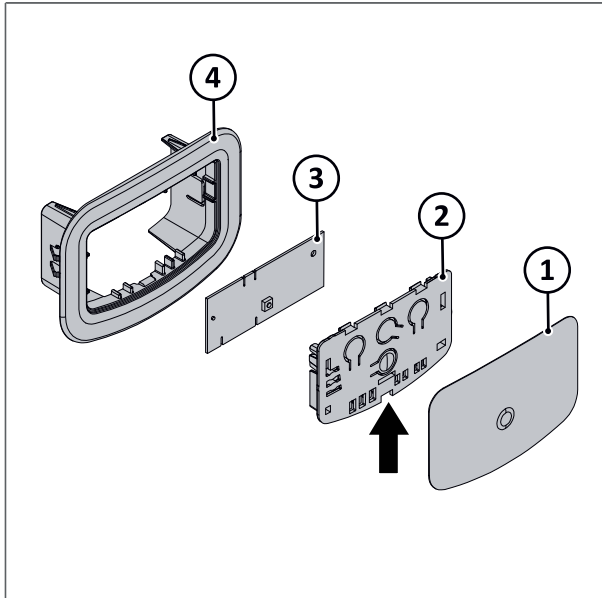
1. Ensure the valve is in the closed position.
2. Slide the solid valve control handle into the designated hole, without applying excessive force. Find the full insertion position by rotating the valve handle a few degrees to the left or right.

## Toilet lid and seat



- Take the lid and seat together.
- Mount the combination on the toilet by hooking in one side first.
- Pull sideways, close to the hinge-point on the other side, hooking the other side in.

## Control panel



A new control PCB needs to be installed and a new sticker needs to be attached.

1. Sticker.
2. Retainer bracket.
3. Control PCB
4. Control panel housing.

- Pry the old sticker loose with a Stanley knife and remove it.
- With a slotted screwdriver in the opening, move the notch and lift the retainer bracket out
- Detach the connectors.
- Take the new control PCB with retainer bracket from the Separation Toilet - Kit and attach the connector.
- Place the new control PCB in the housing.
- Take the new sticker from the Separation Toilet Kit and carefully attach it in place.
- Ensure all connections are properly seated.
- Ensure that all fasteners are tightened to the correct torque.

## 8. After installation



Read the applicable instructions in chapter *Safety* first.

### Visual and functional checks

Check if:

- All packaging materials have been removed.
- If you have removed the toilet before the conversion:

- Ensure that the wall seal is positioned correctly.
- Ensure all fasteners are tightened with the correct amount of torque. Read the applicable instruction in chapter *Installation*

Ensure that the wall seal is positioned correctly.

- The "full" state of the level indication works.
- There are no leaks from the toilet bowl to the urine tank.
- The urine-holding tank and solids bucket can be removed and placed back.
- The service door opens and closes properly.
- The service door is waterproof after installation.

## 9. Service & questions



Read the applicable instructions in chapter *Safety* first.

### Service



All servicing must be carried out by an approved competent person.

### Questions

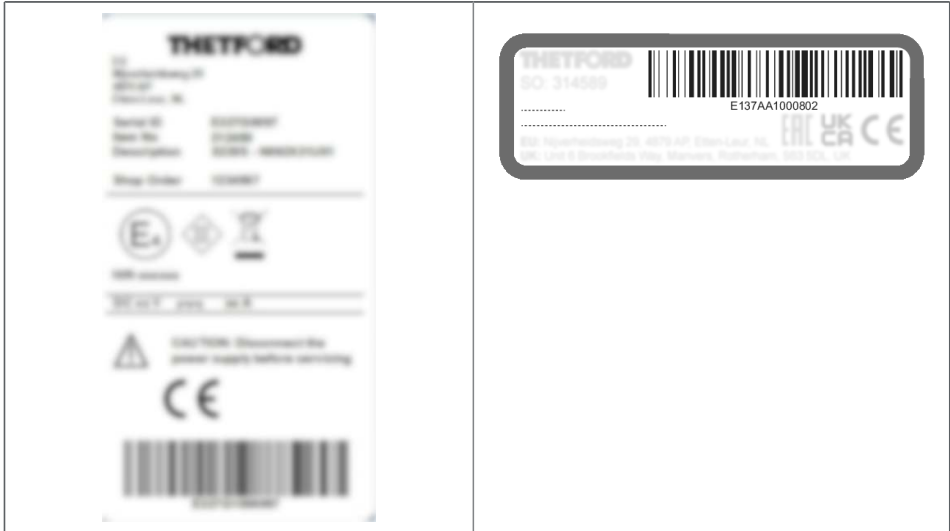
If you have questions about your product, parts, accessories or authorised services visit [www.thetford.com](http://www.thetford.com).



Please note that the SK260 Separation Toilet Kit does not contain a new label. The existing label for the C260 series remains on the appliance. The label on the bottom of the urine tank indicates it is from a separation toilet and can be used when contacting your dealer or customer service.

### Toilet label

### Urine tank label



Risk of water spillage. Use a cloth or towel to avoid any potential spillage and damage.

### Warranty

For our warranty clause, please refer to the conditions mentioned on [www.thetford.com](http://www.thetford.com).

### Declaration of Conformity

Thetford hereby declares that this product is in compliance with the essential requirements and other relevant provisions of the applicable Directives and Standards. A copy of the Declaration of Conformity can be found at [www.thetford.com](http://www.thetford.com).

## EUROPEAN HEADQUARTERS

Thetford B.V.  
P.O. Box 169  
4870 AD Etten-Leur  
The Netherlands

T +31 76 504 22 00  
F +31 76 504 23 00  
E info@thetford.eu

## UNITED KINGDOM

Thetford Ltd.  
Unit 6  
Brookfields Way  
Manvers, Rotherham  
S63 5DL, England  
United Kingdom

T +44 844 997 1960  
F +44 844 997 1961  
E info@thetford.eu

## GERMANY

Thetford GmbH  
Schallbruch 14  
D-42781 Haan  
Deutschland

T +49 2129 94250  
F +49 2129 942525  
E info@thetford.eu

## FRANCE

Thetford S.A.R.L.  
Bâtiment Le Louisiane  
10, Chaussée Jules César  
95520 Osny  
France

T +33 1 30 37 58 23  
F not available  
E info@thetford.eu

## ITALY

Thetford Italy c/o Tecma s.r.l.  
Via Flaminia  
Loc. Castel delle Formiche  
05030 Otricoli (TR)  
Italia

T +39 0744 709071  
F +39 0744 719833  
E info@thetford.eu

## SPAIN AND PORTUGAL

Mercè Grau Solà  
Agente para España y Portugal  
C/ Castellet, 36 bxs 2a  
08800-Vilanova i la Geltrú  
Barcelona  
España

T +34 938 154 389  
F not available  
E info@thetford.eu

## SCANDINAVIA

Thetford Scandinavia  
Bangatan 6  
521 43 Falköping  
Sverige

T +46 31 336 35 80  
F not available  
E info@thetford.eu

## AUSTRALIA

Thetford Australia Pty. Ltd.  
130-132 Freight Drive  
Somerton VIC 3062  
Australia

T +61 3 9358 0700  
F not available  
E info@thetford.com.au  
www.thetford.com.au

## CHINA

Thetford China  
Rm. 1207, Coastal Building  
(East Block)  
Haide 3rd Road, Nanshan District  
Shenzen, 518054  
China

T +86 755 8627 1393  
F +86 755 8627 1673  
E info@thetford.cn  
www.thetford.cn