

THETFORD



INSTALLATION MANUAL
SEPARATION TOILET
S260 series

EN

Original Installation Manual

Contents

1	Disclaimer.....	2
2	Introduction.....	3
3	Safety.....	3
4	Serviceability.....	4
5	Designation codes, drawings and models.....	5
6	Technical specifications.....	6
7	Before installation.....	8
8	Installation.....	11
9	After installation.....	15
10	Service & questions.....	15

1. Disclaimer

Important information

1. This appliance is not intended for use by persons (including children) with reduced physical, sensory or mental capabilities, or lack of experience and knowledge, unless they have been given supervision or instruction concerning use of the appliance by a person responsible for their safety. Children should be supervised to ensure that they do not play with the appliance.
2. Glowing cigarettes and other burning materials must not be thrown into the toilet.
3. This product must only be supplied at safety extra low voltage (SELV) corresponding to the marking on the appliance.
4. If the supply cord is damaged, it must be replaced by a special cord or assembly available from the manufacturer or its service agent.

2. Introduction

General

This is the installation manual for the Thetford S260-S and S260-CS. The manual is meant for qualified installers who will install the toilet system in a caravan or camper.

Read the information and instructions carefully and follow them strictly to install the toilet system safely and correctly.

Also read the warnings in the user manual before testing the toilet system after installation.

Our policy is one of continuous development and improvement. Specifications and illustrations may change subsequent to publication. This document is version 212065/0226-V01 of the installation manual.

Please visit www.thetford.com for the most recent version.

If the appliance is not installed in accordance with national and European regulations, rules and standards, this will void the warranty.

Symbols

The following symbols may be used in this manual:



Warning. Risk of serious injury and/or damage.



Caution. Risk of moderate injury and/or damage.



Attention. Important information.



Note. Additional information.



Video. Additional instruction video available.

3. Safety

General



Risk of serious injury through burning, explosion, clamping, electrocution, suffocation and poisoning or damage to the product.

- Do not modify this appliance, unless the modification is authorised and carried out by the manufacturer or their agent.

- If the appliance is not installed in accordance with national and European law, regulations, rules and standards, this will void the warranty and may lead to criminal prosecution.
- Wear the correct Personal Protective Equipment during the installation. Also follow the applicable safety regulations.
- Only qualified and certified professionals are allowed to install the appliance.



The toilet can withstand a maximum load of 120kg. Make sure you do not overload the toilet.

Installation



Risk of serious injury through burning, explosion, clamping, electrocution, suffocation and poisoning or damage to the product.

- Do not install this toilet in a fixed indoor cabin or other dwelling applications. This toilet is made for use in RV and towable applications.
- To avoid a hazard due to instability of the appliance, it must be fixed in accordance with the instructions.
- The toilet must be installed in a way that allows easy access for maintenance and repairs.
- Do not install the toilet directly on carpet. Put the toilet on a metal or wood panel that extends the full width and depth of the toilet.
- Do not drill, cut or use excessive force on the toilet walls, except for screwing predefined positions. This may damage the appliance.
- When installing the appliance, ensure cables are not trapped or damaged.
- Route the cables away from the appliance and heat sources.
- Do not allow cables to hang loose into the compartment.
- Use only genuine and approved parts and materials.

4. Serviceability

The installer of Thetford products is responsible for correct installation according to the Thetford installation instructions to ensure the functionality and serviceability of the product.

In terms of serviceability, this means that a dealer or authorised Thetford service partner must be able to remove and re-install the Thetford product within the time that is allowed according to the Thetford time-list, using standard tools and equipment.

This is to claim any warranty during the warranty period after the purchase date.

In case of any queries on this subject, a Thetford local service representative can be contacted for additional support related to the installation of the product.

5. Designation codes, drawings and models

Each product has a specific identification code, the designation code. The designation code can be found on the data badge. See *Service & questions* for the location of the data badge. The different positions of the code stand for different variations of the toilet.

Table 1: Designation example: S260S-N062X31U01

S26	0	S	-N	062	X	31	U	01
------------	----------	----------	-----------	------------	----------	-----------	----------	-----------

S26	Toilet series	X	Slide out direction waste-holding tank
0	Type of water supply: none	31	
S	Type of console	U	Type of level indication
-N		01	
062			

Table 2: Available drawings and models

Designation	Description	2D drawing	3D file
S260S – x xxx x xx x xx	S260-S	LE1662	LE1662
S260CS – x xxx x xx x xx	S260-CS	LE1664	LE1664

The 2D drawings consist of product dimensions and screw positions.

The 2D drawings are available upon request, 3D files are only available for the professional builder.

6. Technical specifications

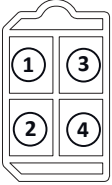
Table 3: Dimensions, weight and capacity

	S260-S			S260-CS		
Dimensions	H	W	D	H	W	D
mm	487	401	603	540	419	607
Empty weight	5.9 kg			6.7 kg		
Capacity urine tank	7.5 L					
Capacity solids bucket	7.1 L					

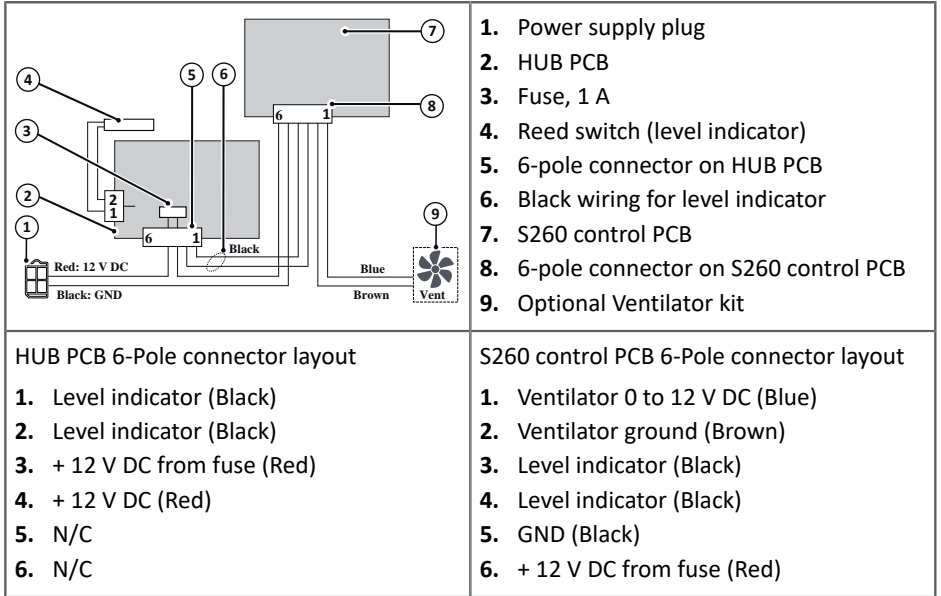
Electrical specifications

Power requirement	12V DC
Fuse	1A on the HUB PCB
DC power connectors	Toilet: TYCO/AMP 180901 or equivalent Supply cable counterpart: TYCO/AMP 180190

Layout of the DC power connectors

	<ol style="list-style-type: none"> 1. + 12 V DC (Red) 2. GND (Black) 3. not used (Purple) 4. not used (Grey)
--	--

Wiring diagram



7. Before installation

Content of the box

For the single-piece packaged appliance, check the content of the box:

- S260-S toilet
- 4 stainless steel screws
- User manual
- Installation manual

Gather the required tools:

- Electric saw
- Philips screwdriver no.2



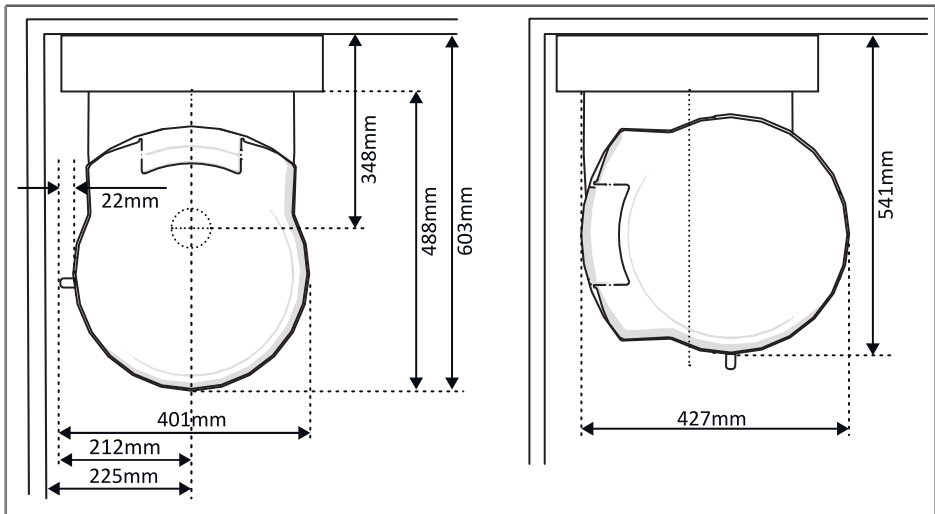
If something is missing from the box, please contact your dealer.



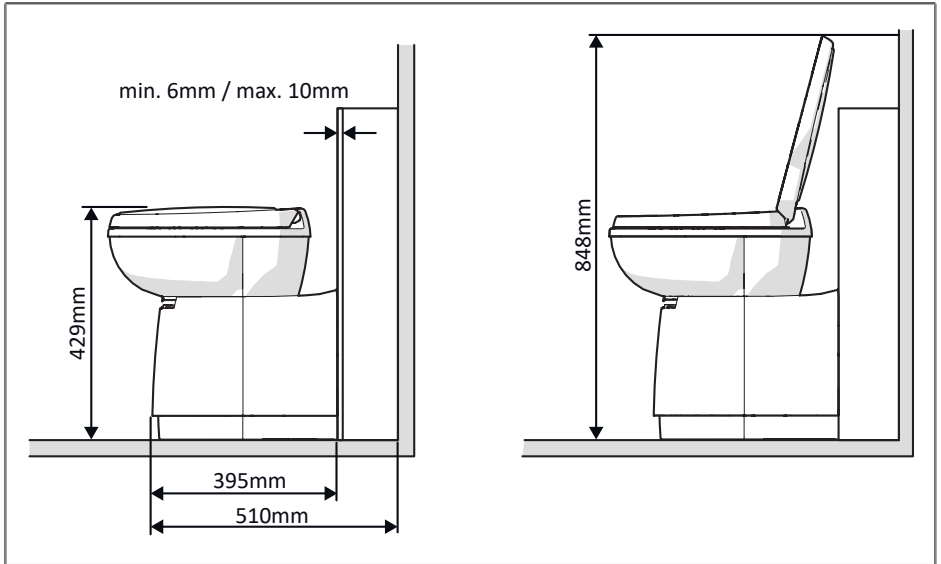
A service door is needed for the installation of this toilet.

S260-S bathroom dimensions

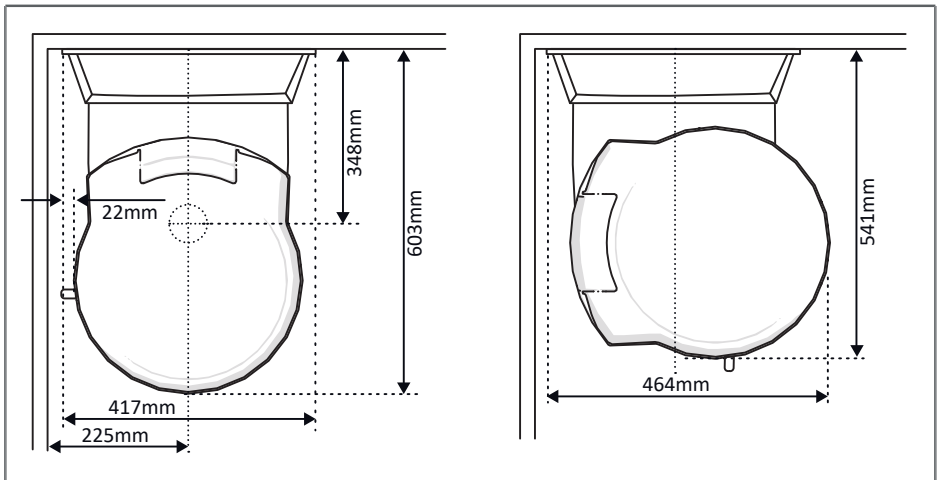
S260-S top view



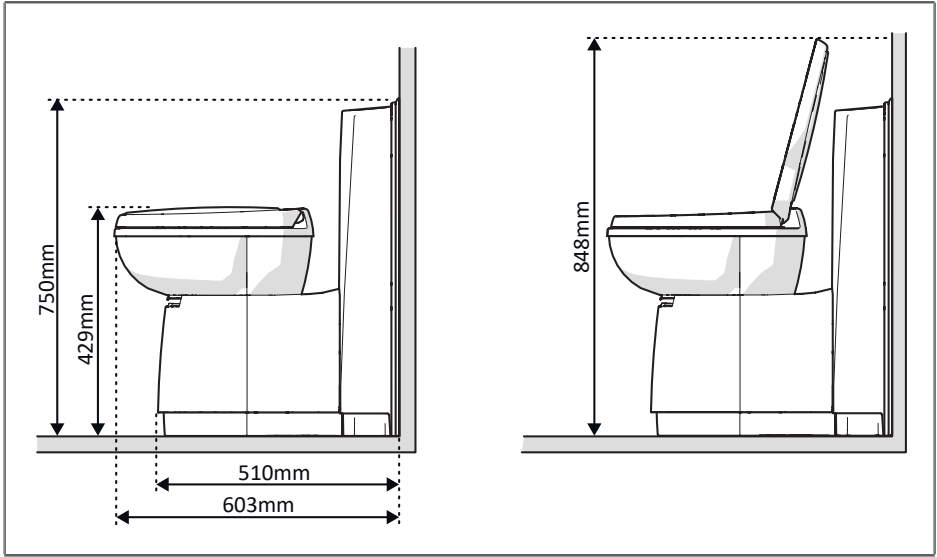
S260-S side view



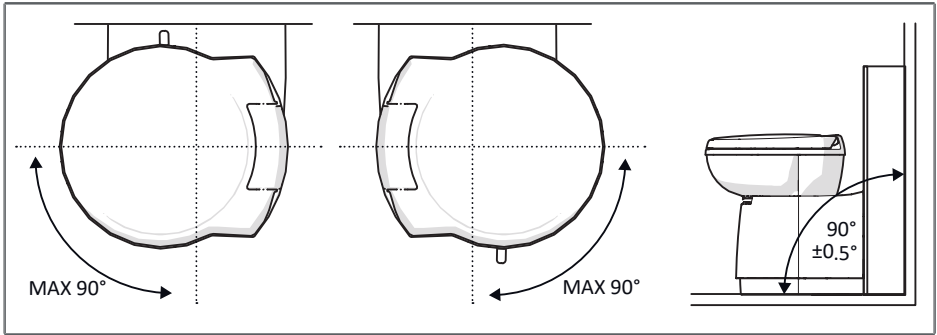
S260-CS top view



S260-CS side view



Bowl rotation and floor-wall angle



The bowl rotation and floor-wall angle is the same for all models.

8. Installation



The wall thickness needs to be between 23mm and 39mm for a service door or between 28mm and 40mm for a flush door.



Read the applicable instructions in chapter *Safety* first.

S260-S template for installation of service door 3



A service door is needed for the installation of this toilet. Please refer to the template S260-S and the service door D3 for further instructions.



If a Ventilator Kit is to be installed too, Thetford advises to have the door opening in an upward direction.




See Designation codes, drawings and models for drawings of the cut-out dimensions.

- Place template D1 on the inner vehicle wall, using the bottom of the template as a reference
- Position template A (for the service door) horizontally or vertically, using the right reference holes, marked on the template with \oplus
B/C/D
- Check if the service door fits on the outside wall of the vehicle
- Drill the two reference holes in the wall
- Install the service door according to the instructions of the door
- Create the inside wall
- Saw the cut-out in the inside wall, using template D2
- Place template D1 on the inside wall, using the bottom of the template as a reference
- Mark the 3 holes marked with \diamond _D on the wall with an awl
- Drill the holes in the wall
- Saw the cut-out in the inside wall, using template D2
- If applicable, install a shower tray

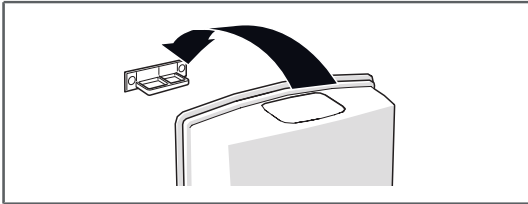
S260-CS template for installation of service door 3

- Place template C on the inner vehicle wall, using the bottom of the template as a reference
- Position template A (for the service door) horizontally or vertically, using the right reference holes, marked on the template with \oplus
B/C/D
- Check if the service door fits on the outside wall of the vehicle
- Drill the two reference holes in the wall
- Install the service door according to the instructions of the door

- Place template C on the inner vehicle wall, using the bottom of the template as a reference
- Mark the 3 holes marked with  on the wall with an awl
- Drill the holes in the wall
- Mount the wall bracket to the inner vehicle wall with three screws
- If applicable, install a shower tray

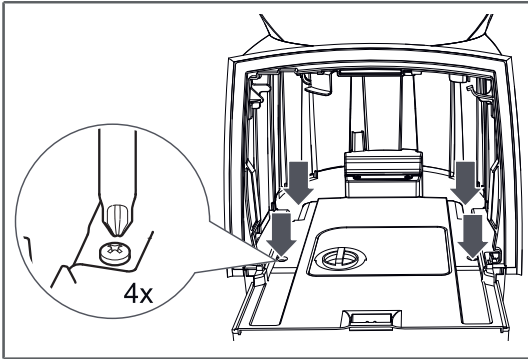
S260-CS wall bracket

Place the S260-CS over the wall bracket, prior to fixation.



- Connect the toilet to the wall bracket

S260-S and S260-CS floor fixation



- Mount the toilet to the floor with four screws



The image shows the S260-S. The screw locations are the same.



Make sure the appliance is located correctly in the designated space and the wall seal is positioned correctly.

- Ensure all fasteners are tightened with the correct amount of torque
- Ensure all connections are properly seated

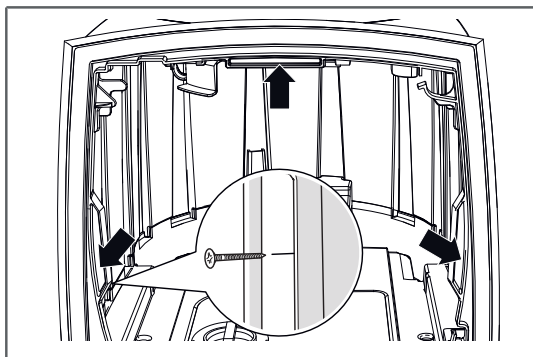


Required torque: $1.2 \pm 0.3\text{Nm}$ for a Plywood floor.



Screws are supplied by Thetford. If these are not used, use stainless steel screws.

S260-S wall fixation



- Connect the toilet to the inside wall with three screws

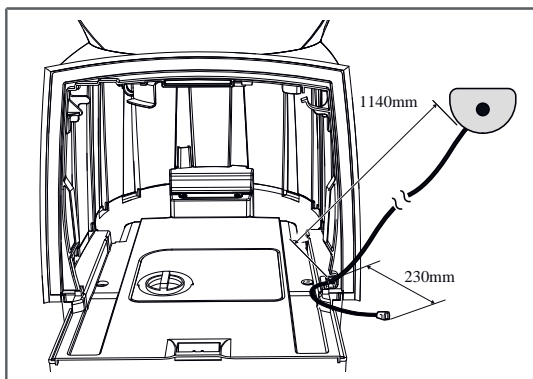


Required torque: 0.9Nm.



Use stainless steel screws.

S260-S control panel



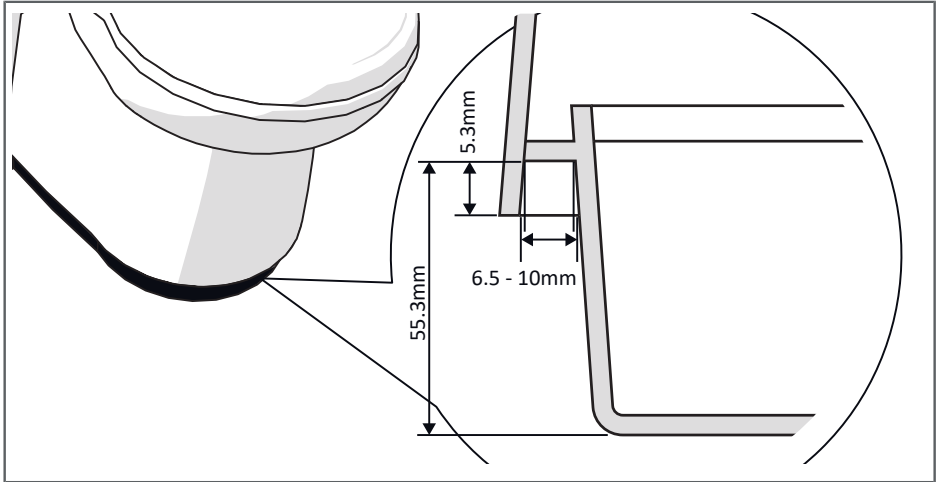
- Create the cut-out for the control panel according to the template
- Install the control panel at the desired location



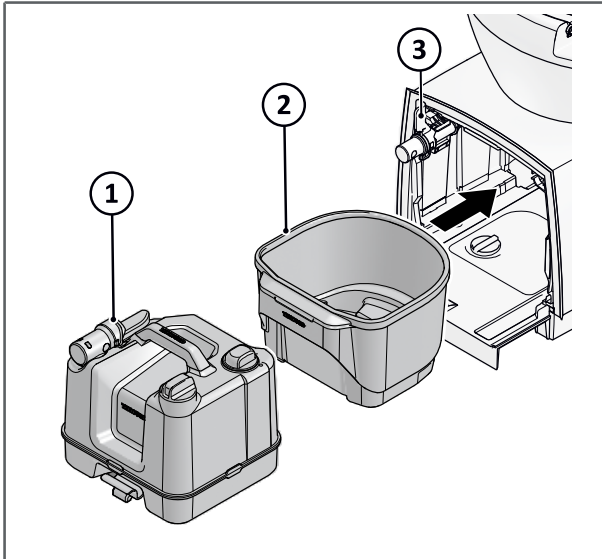
Do not install the control panel in the shower area unless a watertight connection between the control panel and wall can be guaranteed.

Shower tray

Install a shower tray, if applicable.



Solids bucket and urine tank



- Slide in the solids bucket (2) first
- Slide in the urine tank (1) next
- Turn the urine valve handle (3) clock-wise to the horizontal position, to secure the connection and open the valve



Make sure the appliance is located correctly in the designated space and the wall seal is positioned correctly.

9. After installation



Read the applicable instructions in chapter *Safety* first.

Visual and functional checks

Check if:

- All packaging materials have been removed.
- The wall seal is positioned correctly.
- The "full" state of the level indication works.
- There are no leaks from the toilet bowl to the urine tank.
- The urine-holding tank and solids bucket can be removed and placed back.
- The service door opens and closes properly.
- The service door is waterproof after installation.

10. Service & questions



Read the applicable instructions in chapter *Safety* first.

Service



All servicing must be carried out by an approved competent person.

Questions

If you have questions about your product, parts, accessories or authorised services visit www.thetford.com.

If you contact an authorised local Service Centre in your country, provide the details of the model and serial number plus the date of purchase. The data badge can be found on the base of the toilet and underneath the urine tank.

Toilet label

Urine tank label



Warranty

For our warranty clause, please refer to the conditions mentioned on www.thetford.com.

Declaration of Conformity

Thetford hereby declares that this product is in compliance with the essential requirements and other relevant provisions of the applicable Directives and Standards. A copy of the Declaration of Conformity can be found at www.thetford.com.

EUROPEAN HEADQUARTERS

Thetford B.V.
P.O. Box 169
4870 AD Etten-Leur
The Netherlands

T +31 76 504 22 00
F +31 76 504 23 00
E info@thetford.eu

UNITED KINGDOM

Thetford Ltd.
Unit 6
Brookfields Way
Manvers, Rotherham
S63 5DL, England
United Kingdom

T +44 844 997 1960
F +44 844 997 1961
E info@thetford.eu

GERMANY

Thetford GmbH
Schallbruch 14
D-42781 Haan
Deutschland

T +49 2129 94250
F +49 2129 942525
E info@thetford.eu

FRANCE

Thetford S.A.R.L.
Bâtiment Le Louisiane
10, Chaussée Jules César
95520 Osny
France

T +33 1 30 37 58 23
F not available
E info@thetford.eu

ITALY

Thetford Italy c/o Tecma s.r.l.
Via Flaminia
Loc. Castel delle Formiche
05030 Otricoli (TR)
Italia

T +39 0744 709071
F +39 0744 719833
E info@thetford.eu

SPAIN AND PORTUGAL

Mercè Grau Solà
Agente para España y Portugal
C/ Castellet, 36 bxs 2a
08800-Vilanova i la Geltrú
Barcelona
España

T +34 938 154 389
F not available
E info@thetford.eu

SCANDINAVIA

Thetford Scandinavia
Bangatan 6
521 43 Falköping
Sverige

T +46 31 336 35 80
F not available
E info@thetford.eu

AUSTRALIA

Thetford Australia Pty. Ltd.
130-132 Freight Drive
Somerton VIC 3062
Australia

T +61 3 9358 0700
F not available
E info@thetford.com.au
www.thetford.com.au

CHINA

Thetford China
Rm. 1207, Coastal Building
(East Block)
Haide 3rd Road, Nanshan District
Shenzen, 518054
China

T +86 755 8627 1393
F +86 755 8627 1673
E info@thetford.cn
www.thetford.cn